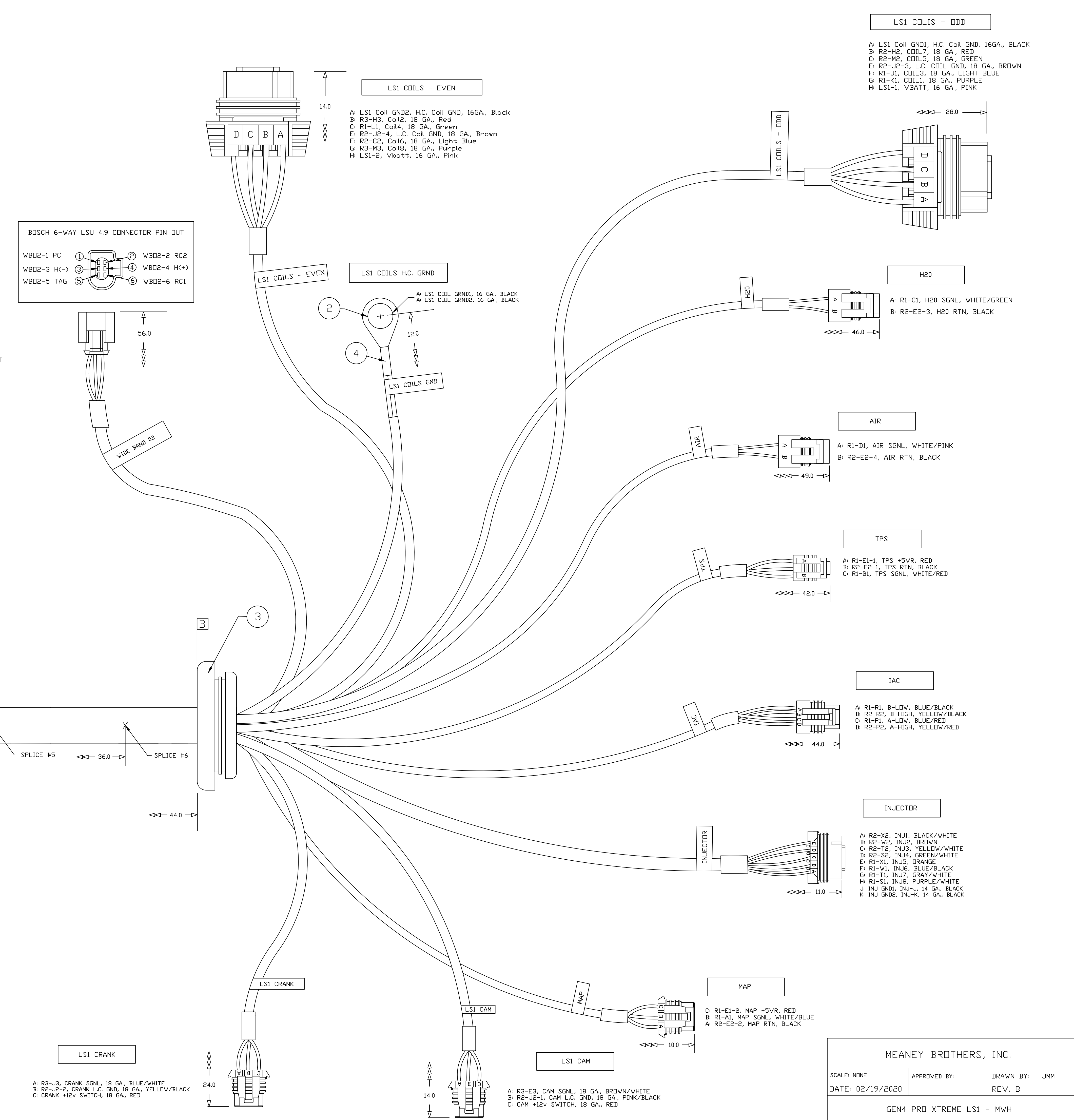
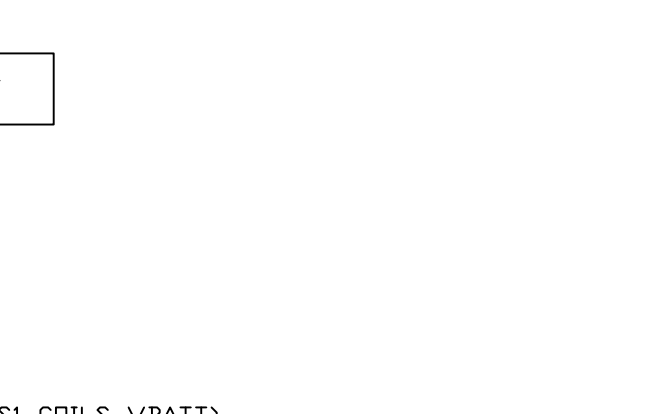
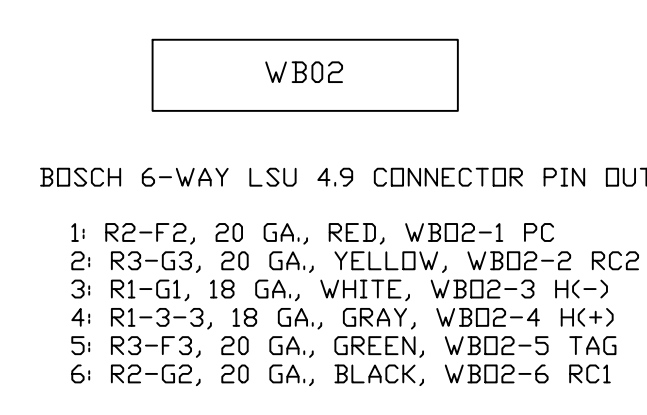
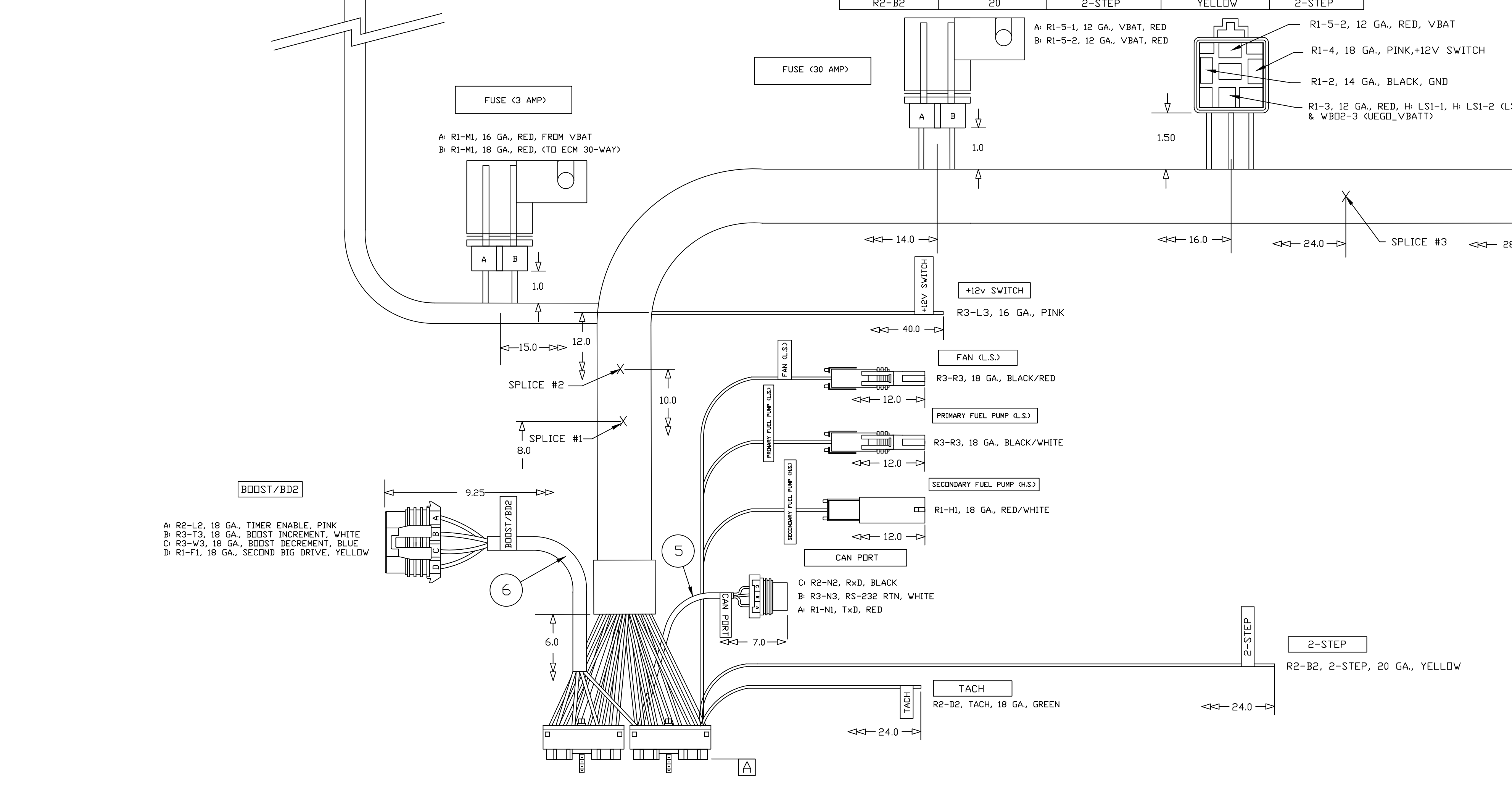
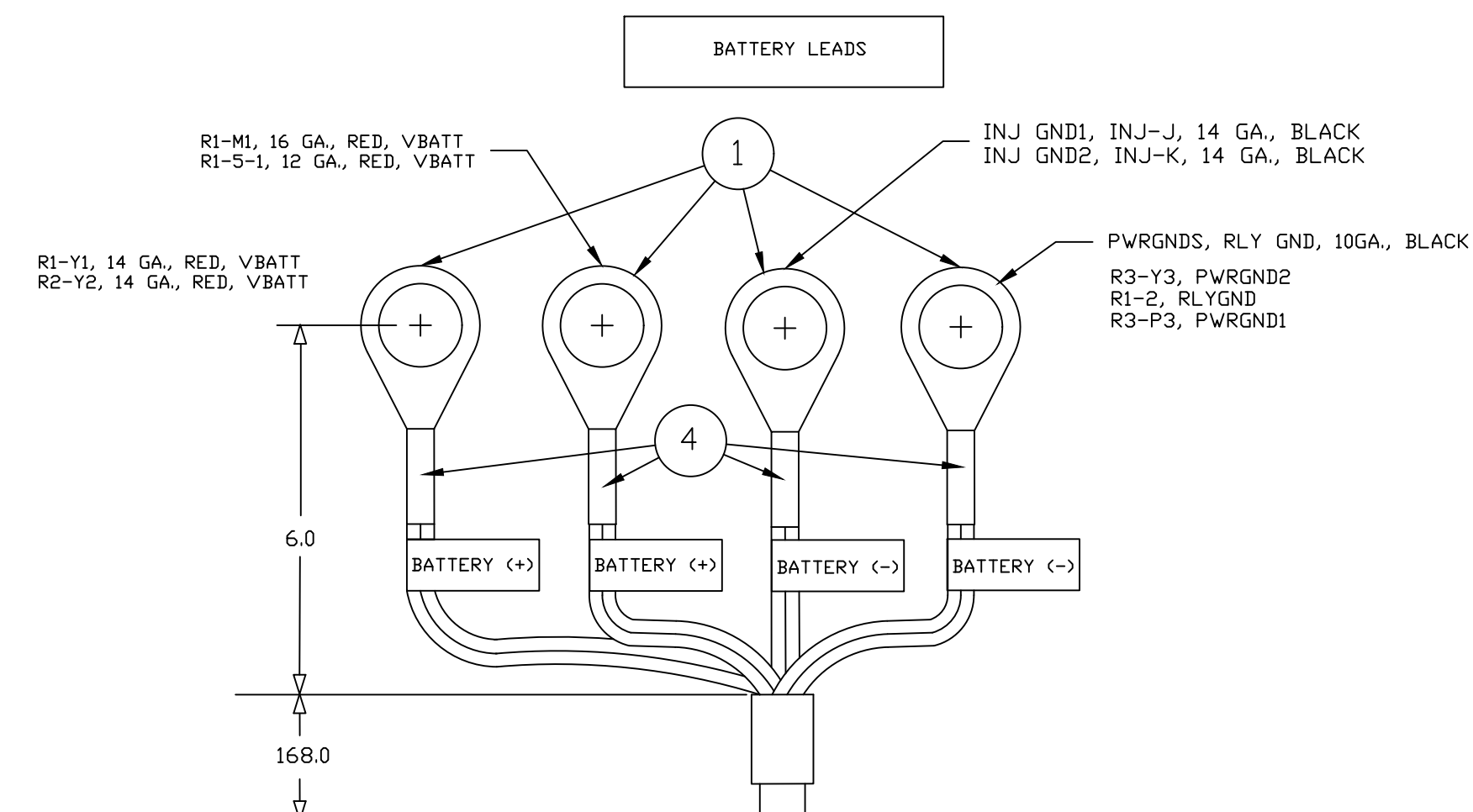


NOTES:

- 10. ALL DIMENSIONS SHOWN WITH SYMBOL \leftrightarrow END AT 30-WAY CONNECTOR AT DATUM A
- 11. ALL DIMENSIONS SHOWN WITH SYMBOL \leftrightarrow END AT HARNESS GRIMMET AT DATUM B
- 12. ALL DIMENSIONS ARE INCHES WITH A TOLERANCE OF +/- 0.50"

ECM CIRCUIT	WIRE GAUGE	GOES TO	WIRE COLOR	NOTES
R2-E2-1	20	TPS-B	BLACK	TPS RTN
R1-E1-1	18	TPS-C	WHITE/RED	TPS SIG
R1-E1-2	20	TPS-A	RED	TPS SVR
R2-E2-2	20	MAP-A	BLACK	MAP RTN
R1-A1	18	MAP-B	WHITE/BLUE	MAP SGNL
R1-E1-2	20	MAP-C	RED	MAP SVR
R1-C1	18	H20-A	WHITE/GREEN	H20 SGNL
R2-E2-3	20	H20-B	BLACK	H20 RTN
R1-D1	18	AIR-A	WHITE/PINK	AIR SGNL
R2-E2-4	20	AIR-B	BLACK	AIR RTN
R2-X2	16	INJ-A	BLACK/WHITE	INJ1
R2-W2	16	INJ-B	BROWN	INJ2
R2-T2	16	INJ-C	YELLOW/WHITE	INJ3
R2-S2	16	INJ-D	GREEN/WHITE	INJ4
R1-X1	16	INJ-E	ORANGE	INJ5
R1-W1	16	INJ-F	BLUE/BLACK	INJ6
R1-T1	16	INJ-G	GRAY/WHITE	INJ7
R1-S1	16	INJ-H	PURPLE/WHITE	INJ8
	14	INJ-J	BLACK	INJ-J GRND
R2-F2	20	VB02-1	RED	PC
R3-G3	20	VB02-2	YELLOW	RC2
R1-G1	18	VB02-3	WHITE	HK->
	18	VB02-4	GRAY	HK-> VIA RELAY
R3-F3	20	VB02-5	GREEN	TAG
R2-G2	20	VB02-6	BLACK	RC1
R1-N1	18	CAN PORT-A	RED	TXD
R3-N3	18	CAN PORT-B	WHITE	RS232 RTN
R2-N2	18	CAN PORT-C	BLACK	RXD
R3-L3	18	+12V SWITCH	PINK	+12V SWITCH
R1-M1	18	ECM VBATT	RED	VBATT
R2-Y2	14	ECM VBAT	RED	VBATT
R1-Y1	14	ECM VBAT	RED	VBATT
R3-Y3	16	GND	BLACK	PWRGND2
R3-P3	18	GND	BLACK	PWRGND1
R2-L2	18	BOOST / B22-A	PINK	TIMER ENABLE
R3-T3	18	BOOST / B22-B	WHITE	BOOST INCREMENT
R3-W3	18	BOOST / B22-C	BLUE	BOOST DECREMENT
R1-P1	18	BOOST / B22-D	YELLOW	SECOND REG DRIVE
R2-P2	18	IAC-D	YELLOW/RED	IAC A-HIGH
R1-P1	18	IAC-C	BLUE/RED	IAC A-LOW
R2-R2	18	IAC-B	YELLOW/BLACK	IAC B-HIGH
R1-R1	18	IAC-A	BLUE/BLACK	IAC B-LOW
R3-R3	18	FAN G.L.S3	BLACK/RED	FAN ENABLE G.L.S3
R3-S3	18	PRIMARY FUEL PUMP G.L.S3	BLACK/WHITE	PRIMARY FUEL PUMP G.L.S3
R1-H1	18	SECONDARY FUEL PUMP G.L.S3	RED/WHITE	SECONDARY FUEL PUMP G.L.S3
R2-D2	18	TACH	GREEN	TACH OUT
R2-H2	18	LSI COIL 000-A	BLACK	H.C. COIL GND
R2-M2	18	LSI COIL 000-B	GREEN	COIL 7
R2-J2-3	18	LSI COIL 000-E	BROWN	L.C. COIL GND
R1-J1	18	LSI COIL 000-F	LIGHT BLUE	COIL 2
R1-K1	18	LSI COIL 000-G	PURPLE	COIL 1
	16	LSI COIL 000-H	PINK	LSI-1 VBATT
	16	LSI COIL 000-I	PINK	H.C. COIL GND
R3-H3	18	LSI COIL 000-B	RED	COIL 2
R1-L1	18	LSI COIL 000-C	GREEN	COIL 4
R2-J2-4	18	LSI COIL 000-E	BROWN	L.C. COIL GND
R2-C2	18	LSI COIL 000-F	LIGHT BLUE	COIL 6
R3-M3	18	LSI COIL 000-G	PURPLE	COIL 8
R3-E3	18	LSI CAM-A	BROWN/WHITE	LSI CAM SGNL
R2-J2-1	18	LSI CAM-B	PINK/BLACK	CAM L.C. GND
R3-J3	18	LSI CRANK-A	BLUE/WHITE	LSI CRANK SGNL
R2-J2-2	18	LSI CRANK-B	YELLOW/BLACK	CRANK L.C. GND
R2-B2	20	LSI CRANK-C	RED	LSI CRANK +12V
	20	2-STEP	YELLOW	2-STEP



MEANEY BROTHERS, INC.			
SCALE: NONE	APPROVED BY:	DRAWN BY: JMM	
DATE: 02/19/2020		REV. B	
GEN4 PRD XTREME LSI - MWH			
Customer version	DRAWING NUMBER	JMI-005-074	